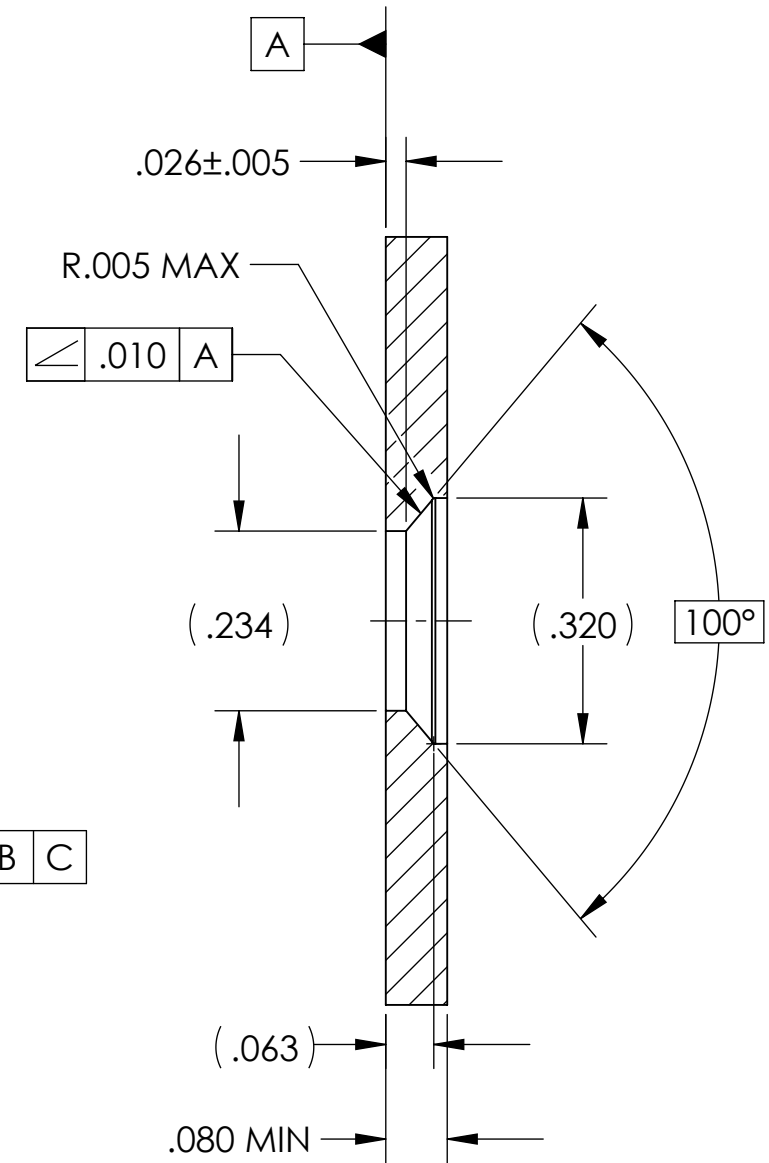
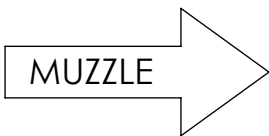
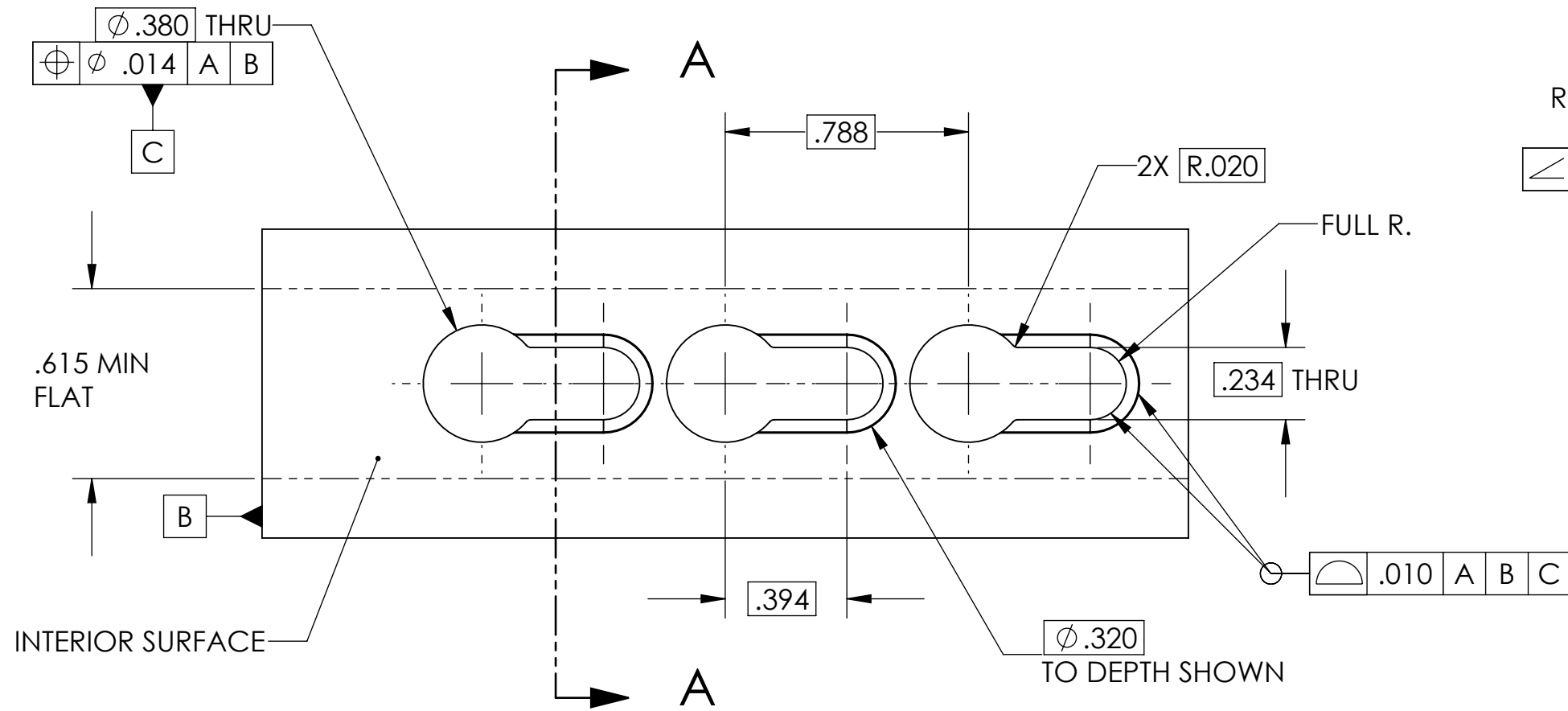
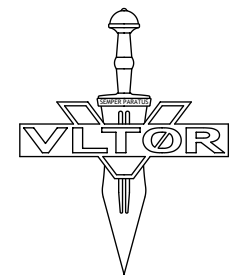


NOTES:

- SPECIFICATION DRAWING FOR ACCESSORY MOUNTING SLOTS.
- THICKNESS OF MATERIAL MAY VARY.



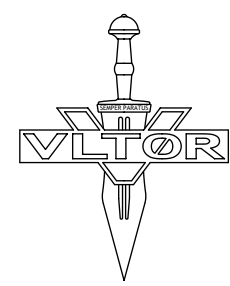
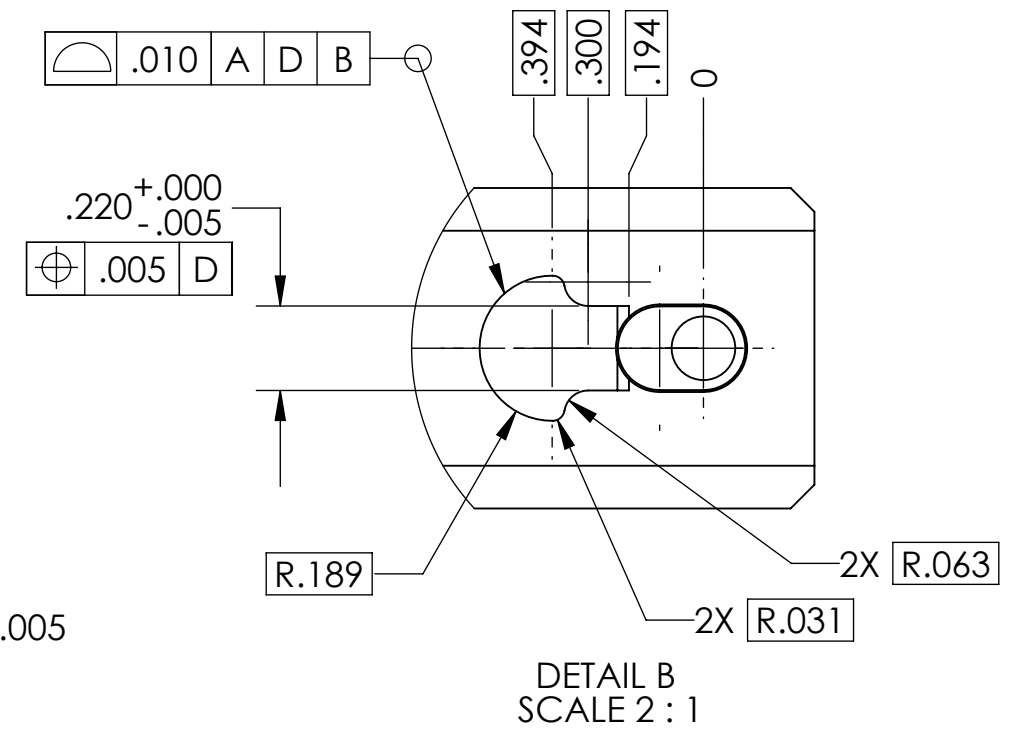
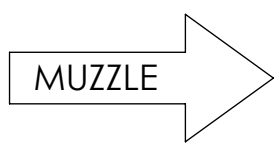
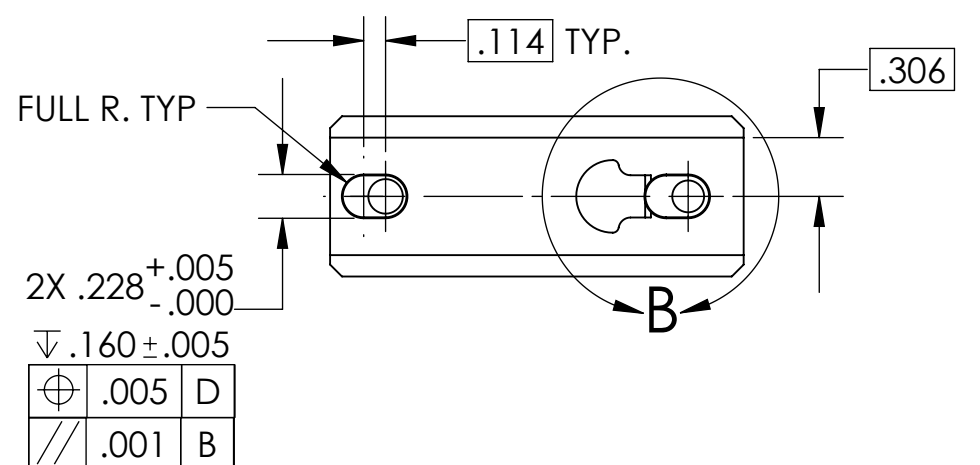
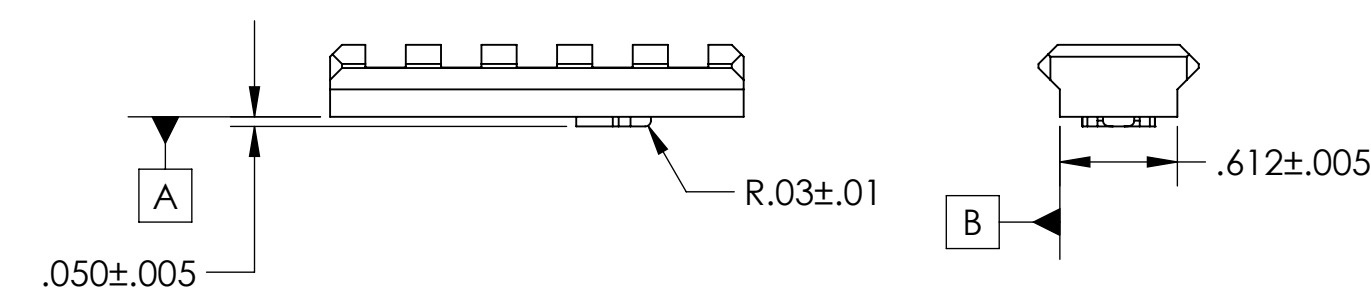
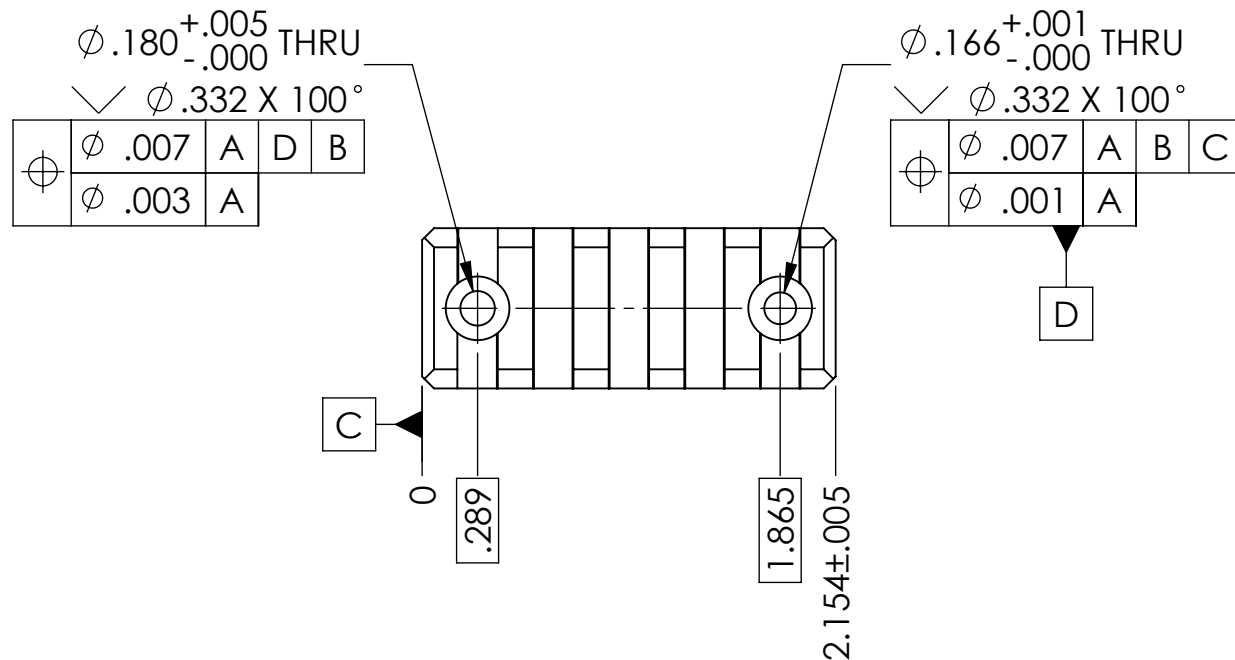
SECTION A-A
SCALE 4:1



LAST REVISED: 10/2012
VLTOR WEAPON SYSTEMS
 3735 N. ROMERO RD. TUCSON AZ

NOTES:

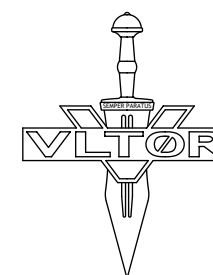
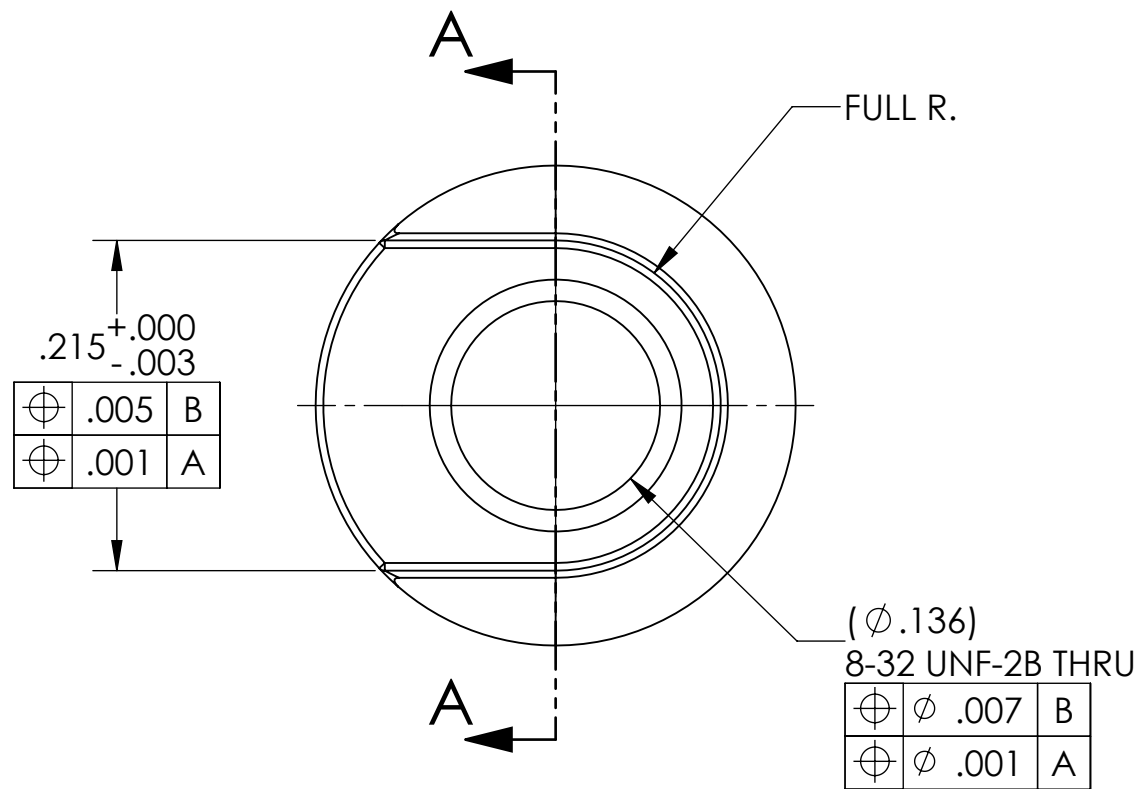
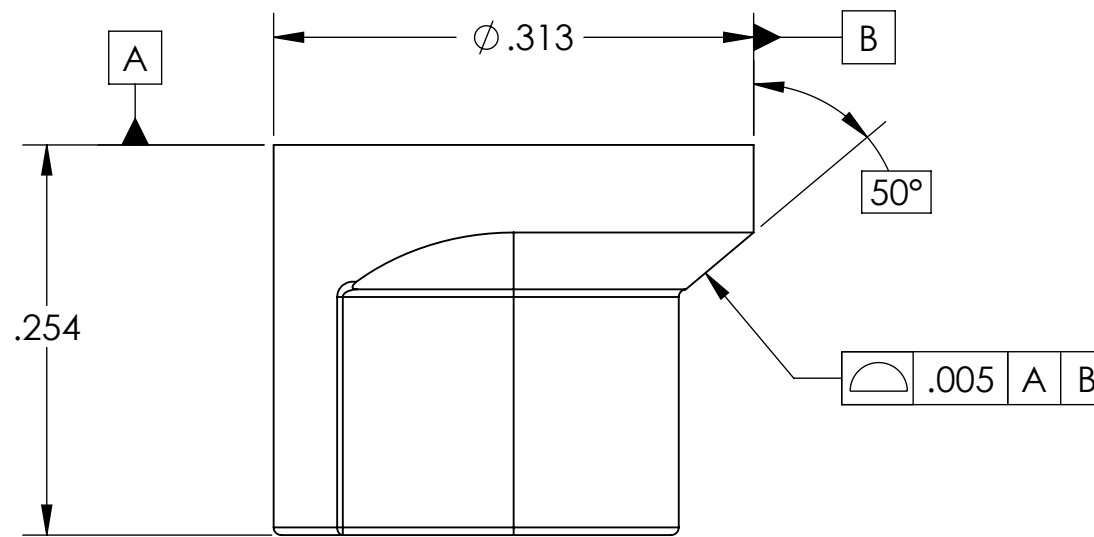
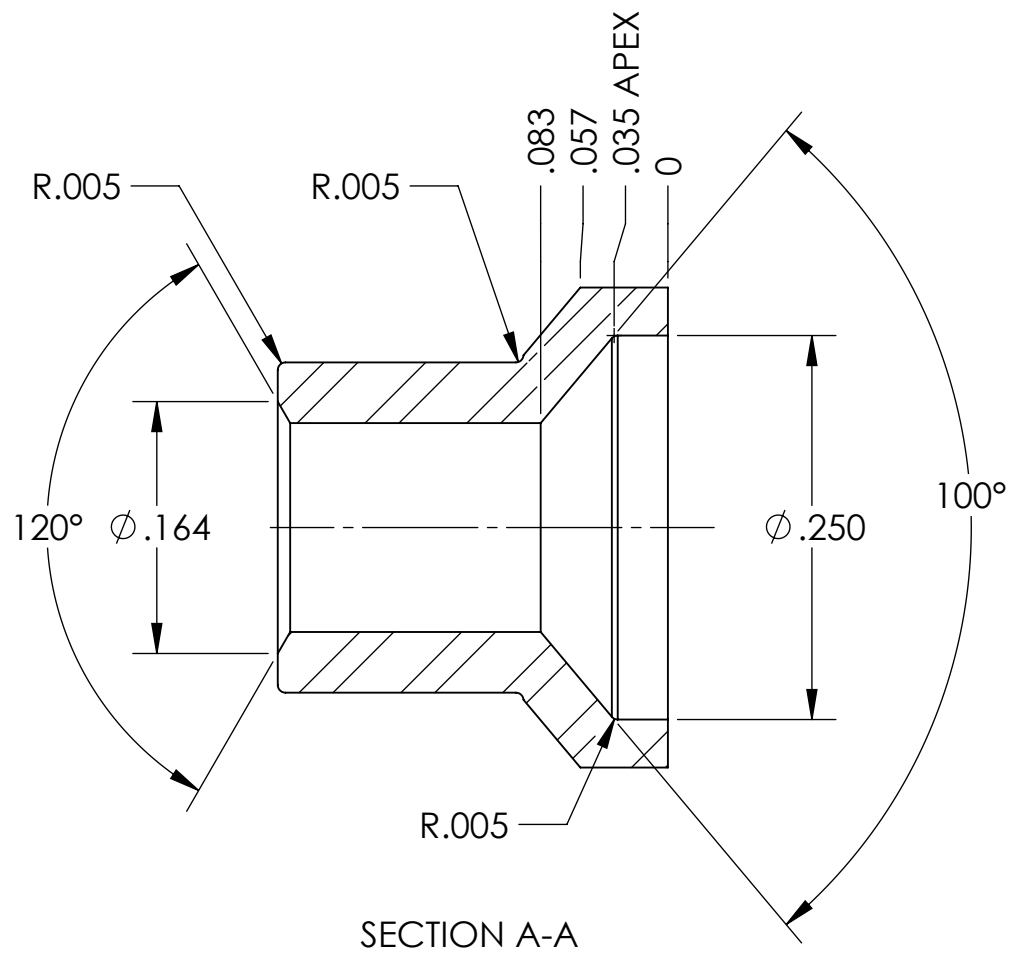
1. MATERIAL: 6061-T6 AL ALLOY



LAST REVISED: 10/2012
VLTOR WEAPON SYSTEMS
 3735 N. ROMERO RD. TUCSON AZ

NOTES:

1. MATERIAL: 18-8 CRES

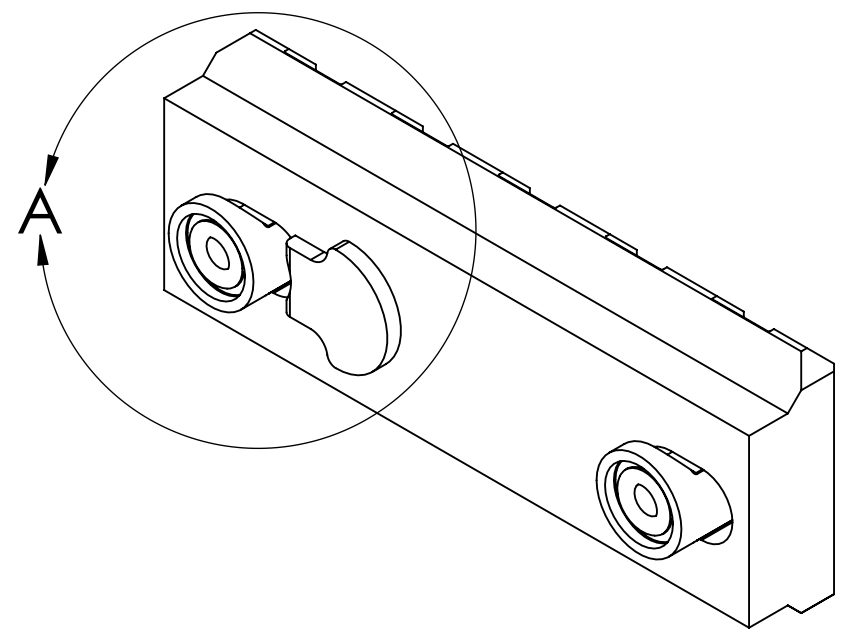


LAST REVISED: 10/2012
VLTOR WEAPON SYSTEMS
 3735 N. ROMERO RD. TUCSON AZ

8 7 6 5 4 3 2 1

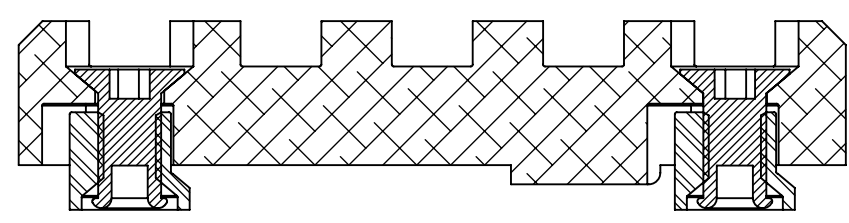
D

D



C

C

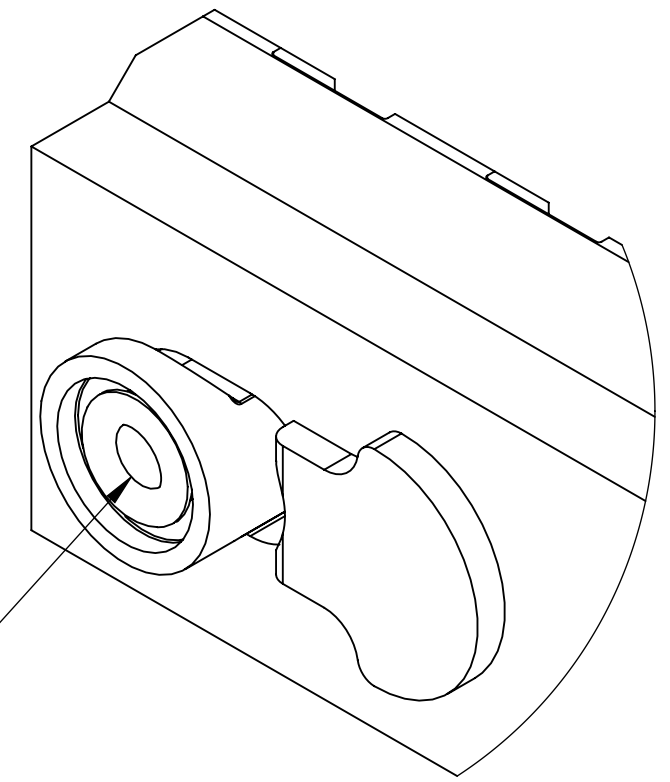


SECTION B-B

B

B

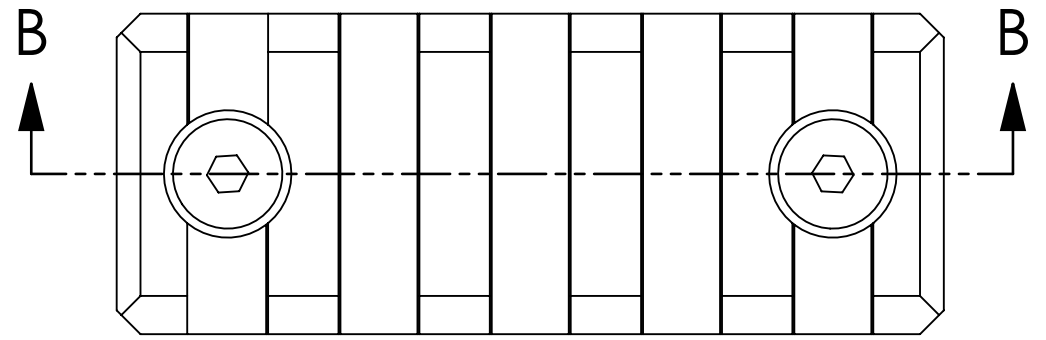
STAKE OPEN END OF SCREW
AFTER INSTALLED TO RAIL AND NUT



DETAIL A
SCALE 4:1

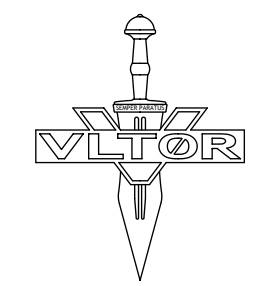
B

B



A

A



LAST REVISED: 10/2012
VLTOR WEAPON SYSTEMS
 3735 N. ROMERO RD. TUCSON AZ

8 7 6 5 4 3 2 1